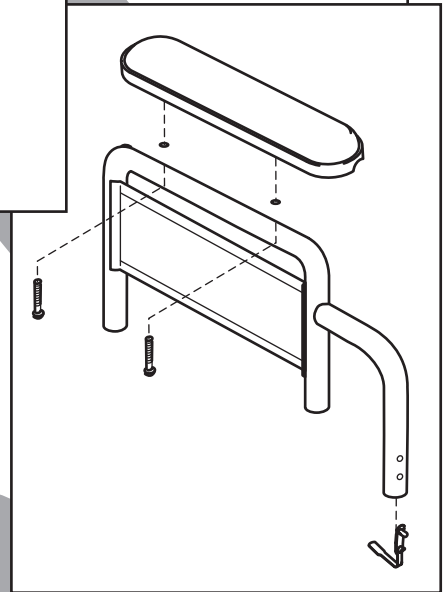
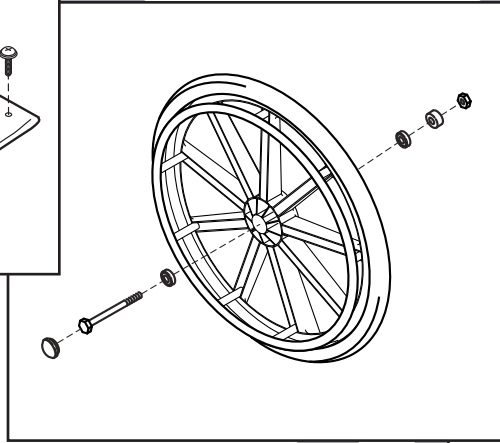
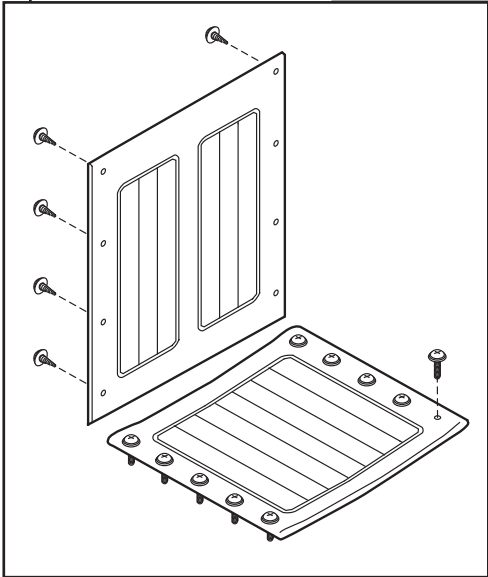


Traveler[®] HD

PARTS CATALOG



CONTENTS

SIDEFAME AND CROSSBRACE	3
ARM, DETACHABLE	4
UPHOLSTERY	4
REAR WHEEL.....	5
CASTER.....	5
FOOTREST / ELEVATING LEGREST, SWINGAWAY	6
ACCESSORIES.....	7

TO ORDER

Tel: 800-347-5678 • Fax: 800-726-0601

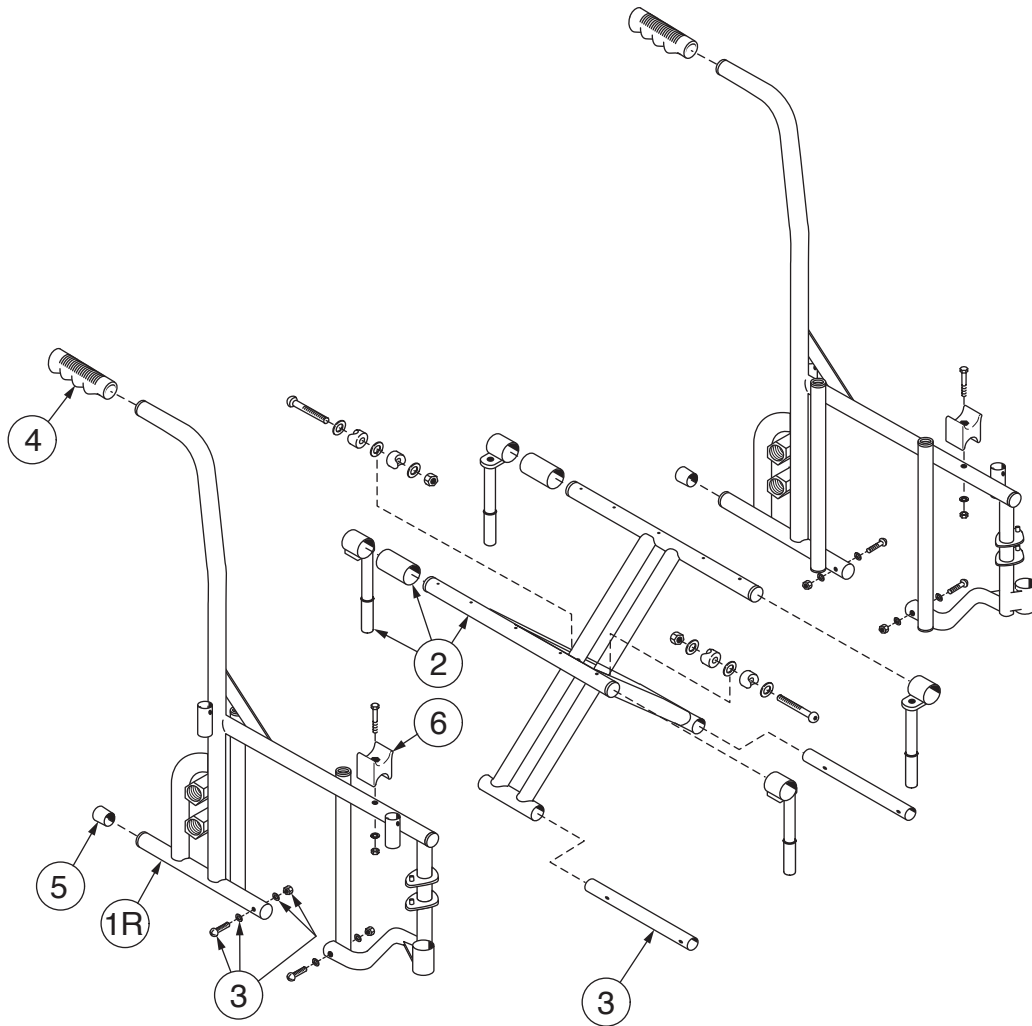
Returns: Parts may not be returned without prior authorization from GF Health Products, Inc. Custom parts cannot be returned for credit. Please refer to GF Health Products, Inc. [Terms and Conditions](#) for further information.

All illustrations and specifications contained in this catalog are based on the latest product information available at the time of the printing. GF Health Products, Inc. is not responsible for typographical errors. Packaging, warranties, products, and specifications are subject to change without notice. When ordering parts from this catalog, we suggest that you check with our Customer Service Department to ensure that you have the latest revision level of this catalog, which is printed below each page number. GF Health Products, Inc. reserves the right to make changes at any time without notice.

Everest & Jennings, E&J, Traveler, and Graham-Field are registered trademarks of GF Health Products, Inc.

© July 2009, GF Health Products, Inc., All Rights Reserved.

SIDEFAME AND CROSSBRACE



1 Sideframe, all widths

Right 90763401
 Left 90763402

2 Crossbrace, pair

Includes slides, center bolt and nut

20" W 907634C1
 22" W 907634C2
 24" W 907634C3

3 Bottom inner rail kit

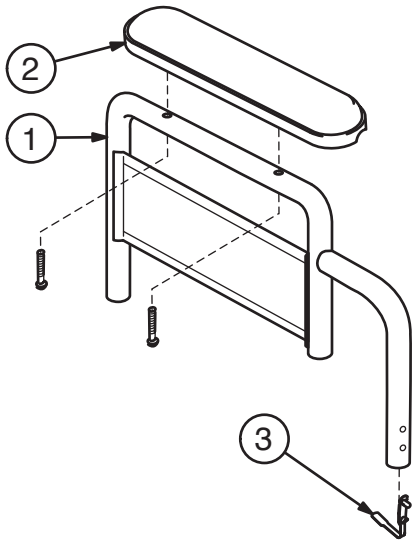
Includes bottom inner rail (pair),
 screw and nut that hold bottom
 inner rail (4 each), and sleeve (pair) ... 90763503

4 Grip (10 each) 90763005

5 Tipping sleeve (10 each)..... 90763006

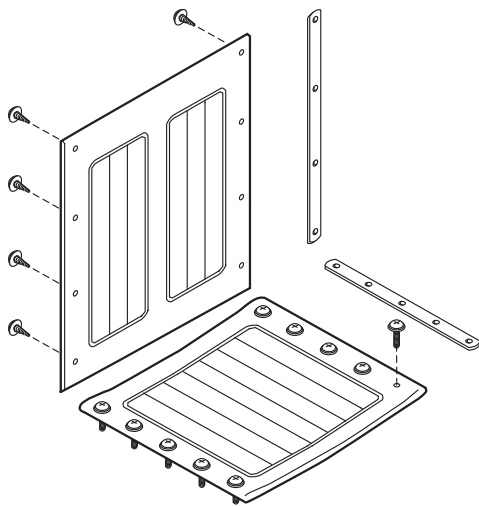
**6 Seat rail cradle, screw, washer and
 nut (pair)..... 90763403**

ARM, DETACHABLE



- 1 Arm, detachable desk-length fixed-height, pair
Includes right and left arm with side panel and spring lock;
does not include arm pad..... 90763020
- 2 Arm pad, desk-length, pair
Includes two black arm pads and mounting screws 90763022
- 3 Spring lock (10 each) 90763024

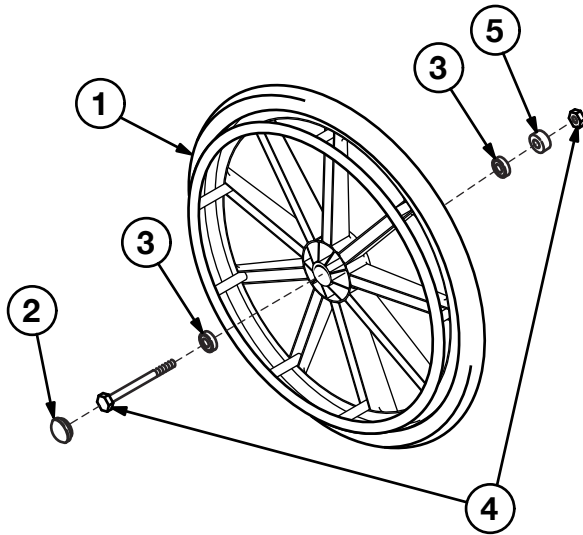
UPHOLSTERY



- Back upholstery, black leatherette, with built-in chart holder
Includes mounting strips and screws
- 20" W..... 907634A1
- 22" W..... 907634A2
- 24" W..... 907634A3

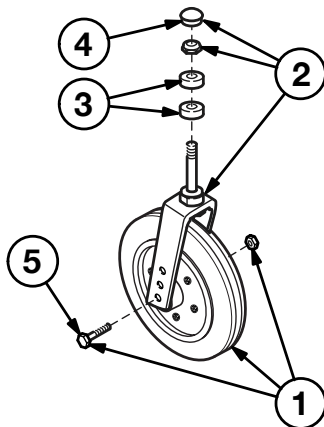
- Seat upholstery, black leatherette
Includes mounting strips and screws
- 20" W x 18" D..... 907634B1
- 22" W x 18" D..... 907634B2
- 24" W x 18" D..... 907634B3

REAR WHEEL



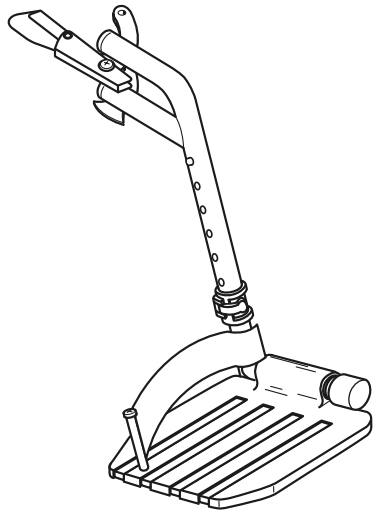
- | | |
|--|----------|
| 1 Rear wheel with handrim, 24" x 1", polyurethane tire
Includes hub cap and bearing;
does not include axle or nut..... | 90763450 |
| 2 Hub cap (10 each)..... | 90763451 |
| 3 Wheel bearing (10 each) | 90763452 |
| 4 Rear axle and nut (10 each)..... | 90763453 |
| 5 Spacer (10 each)..... | 90763454 |

CASTER

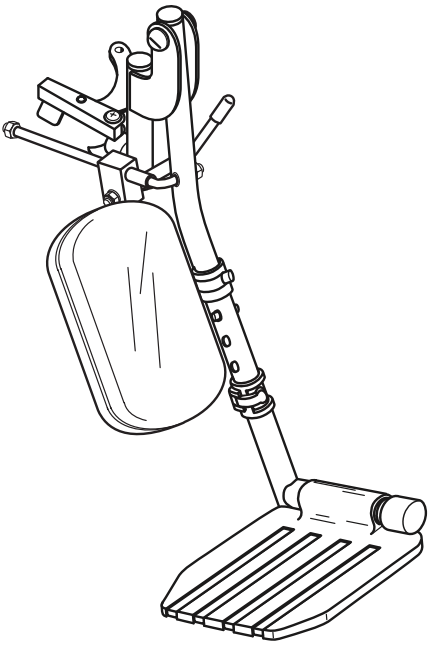


- | | |
|--|----------|
| Complete caster (fork and wheel),
8" x 2" solid urethane tire | 90763440 |
| 1 Caster wheel, axle and nut | 90763441 |
| 2 Caster fork, stem nut and dust cap | 90763042 |
| 3 Caster stem bearing (10 each) | 90763043 |
| 4 Caster dust cap (10 each)..... | 90763044 |
| 5 Caster axle and nut (10 each)..... | 90763045 |

FOOTREST / ELEVATING LEGREST, SWINGAWAY



Footrest, pair, all widths
Includes right and left hanger with release
and aluminum footplate with extension
and heel loop
..... 90763430



Elevating legrest, pair, all widths
Includes right and left hanger with release,
aluminum footplate with extension, and black
legrest panel (does not include heel loop)
.....90763431

Elevating legrest panel kit
Includes 2 black padded panels and hardware
.....90763032

Traveler® HD accessories (not shown)

1	Heel loop, pair.....	90763064
2	Wheel lock, pair, includes rubber tips	
	Push to lock.....	90763060
	Pull to lock.....	90763061
3	Rubber tip, wheel lock (10 each).....	90763063
4	Wheel lock extension, pair	90763062
5	Positioning belt (metal buckle)	90133125
6	Anti-Fold bar	92523850
7	O2-IV holder	B10320F
8	Anti-Tippers (pair)	
	20" seat height	90763065
	18" seat height	90763066

Everest & Jennings®
A Graham-Field Brand

USA Corporate Headquarters:

**GF Health Products, Inc.
2935 Northeast Parkway
Atlanta, Georgia 30360 USA**

**tel: 800-347-5678, 770-447-1609
fax: 800-726-0601, 678-291-3232**



GRAHAM-FIELD.

www.grahamfield.com

**Traveler® HD Parts Catalog
GF0900210RevA09, July 2009**