

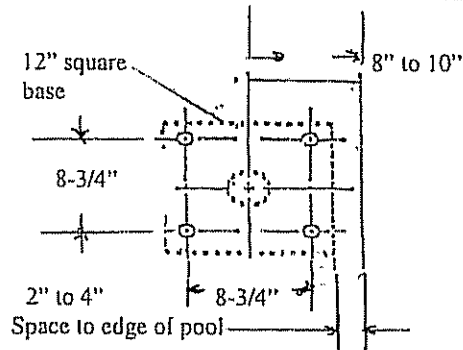
INSTALLATION INSTRUCTIONS

FOR

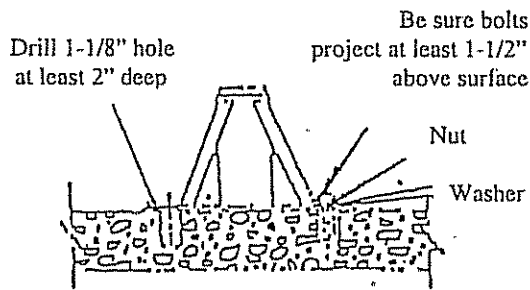
HOYER

HBU-6 AND HSP-6 SURFACE MOUNTED SLEEVE

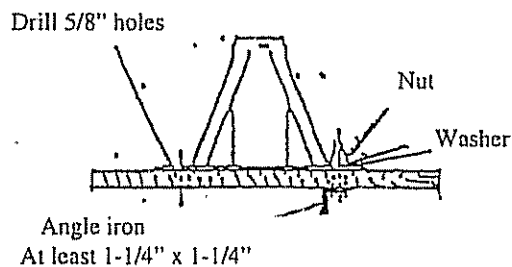
The layout required for installation of a surface mounted sleeve is shown in the diagram at the right. Proper position for the mast is 8" to 10" from the edge of the tub or pool. The base itself is 12" square. Position the edge of the base 2" to 4" from the edge of the pool with the edge of the base parallel to the edge of the pool. Mark the location of the four mounting bolt holes.

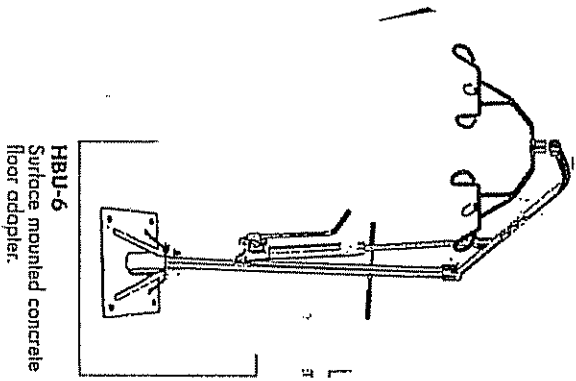


When the surface mounted sleeve is to be installed on a concrete surface, the four mounting holes must be drilled into the concrete to a depth of at least 2-3/4". Use a 1-1/8" core drill for best results. Set the four 5/8"x 4-1/2" bolts in the holes and fill around with a non-shrinking cement such as Por-Rok. Be sure the bolts are located in a 8-3/4" square and that they project at least 1-1/2" above the finished surface. When the concrete has cured, place the base in position over the bolts and secure with a washer and nut.



When the surface mounted sleeve is to be installed on a wood surface such as a boat dock, drill the four 5/8" mounting holes through the planking. Reinforce the underside of the structure with heavy angle iron or similar material. The bolts holding the base must pass through the planking and the angle iron below. In the event the bolts supplied are not long enough, it is suggested that longer 5/8" bolts be purchased locally. Be sure the base is solid before using lifter.





HBU-6
Surface mounted concrete
floor adapter.