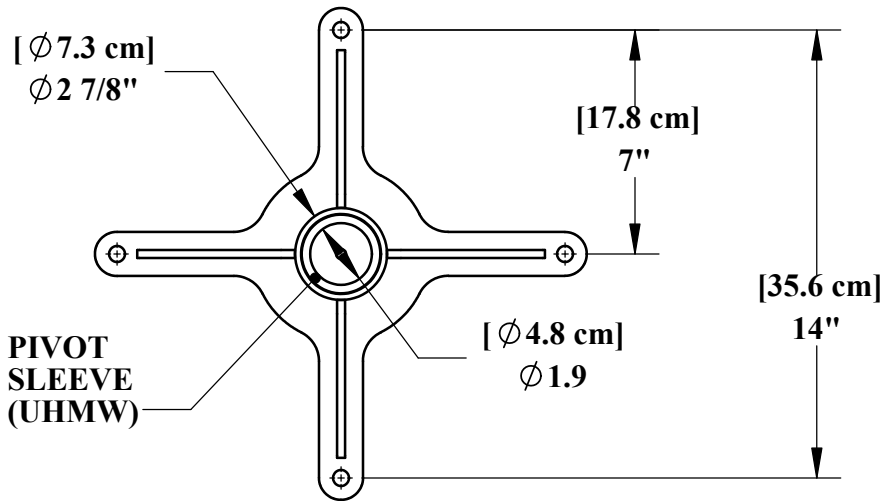
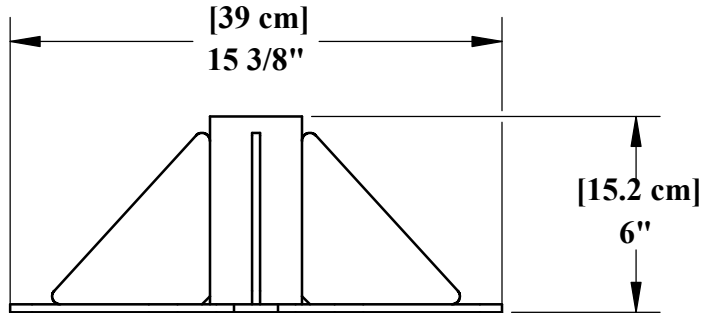


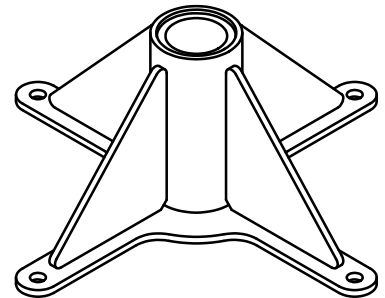
# EZ POOL LIFT™ SURFACE MOUNT ANCHOR



## SPECIFICATIONS

THE AQUA CREEK EZ SURFACE MOUNT ANCHOR SHALL BE AN ALL STAINLESS STEEL ANCHOR ASSEMBLY WITH AN UHMW PIVOT SLEEVE. THE ANCHOR ASSEMBLY SHALL BE EPOXY POWDER COATED FOR ADDITIONAL PROTECTION. THE SURFACE MOUNT ANCHOR SHALL COME WITH A TAMPER-RESISTANT LID, AND ALL MOUNTING HARDWARE, INCLUDING 3/8" [9.5 mm] DROP-IN, STAINLESS STEEL ANCHORS (4).

ANCHOR BASE PLATE:	1/4" [6.4 mm] TYPE 304 STAINLESS STEEL PLATE
GUSSETS:	1/4" [6.4 mm] TYPE 304 STAINLESS STEEL PLATE
ANCHOR HOUSING:	2-1/2" SCH-40 [Ø 7.3 cm] WELDED S.S. PIPE
TAMPER-RESISTANT LID:	11 GAGE TYPE 304 STAINLESS STEEL
PIVOT SLEEVE:	UHMW (POLYETHYLENE)



9889 GARRY MORE LANE  
MISSOULA, MT 59808  
(406) 549-0769  
FAX (406) 549-2602

NOTE:

\*SPECIFICATIONS ARE SUBJECT TO CHANGE WITHOUT NOTICE  
\*ALL DIMENSIONS ARE IN INCHES

PRODUCT: <b>EZ SURFACE MOUNT ANCHOR</b>	
DWG #: <b>F-035EZSM</b>	
SCALE: <b>1:6</b>	DATE: <b>11/19/07</b>
DRAWN BY: <b>DS</b>	REVISION: <b>B</b>