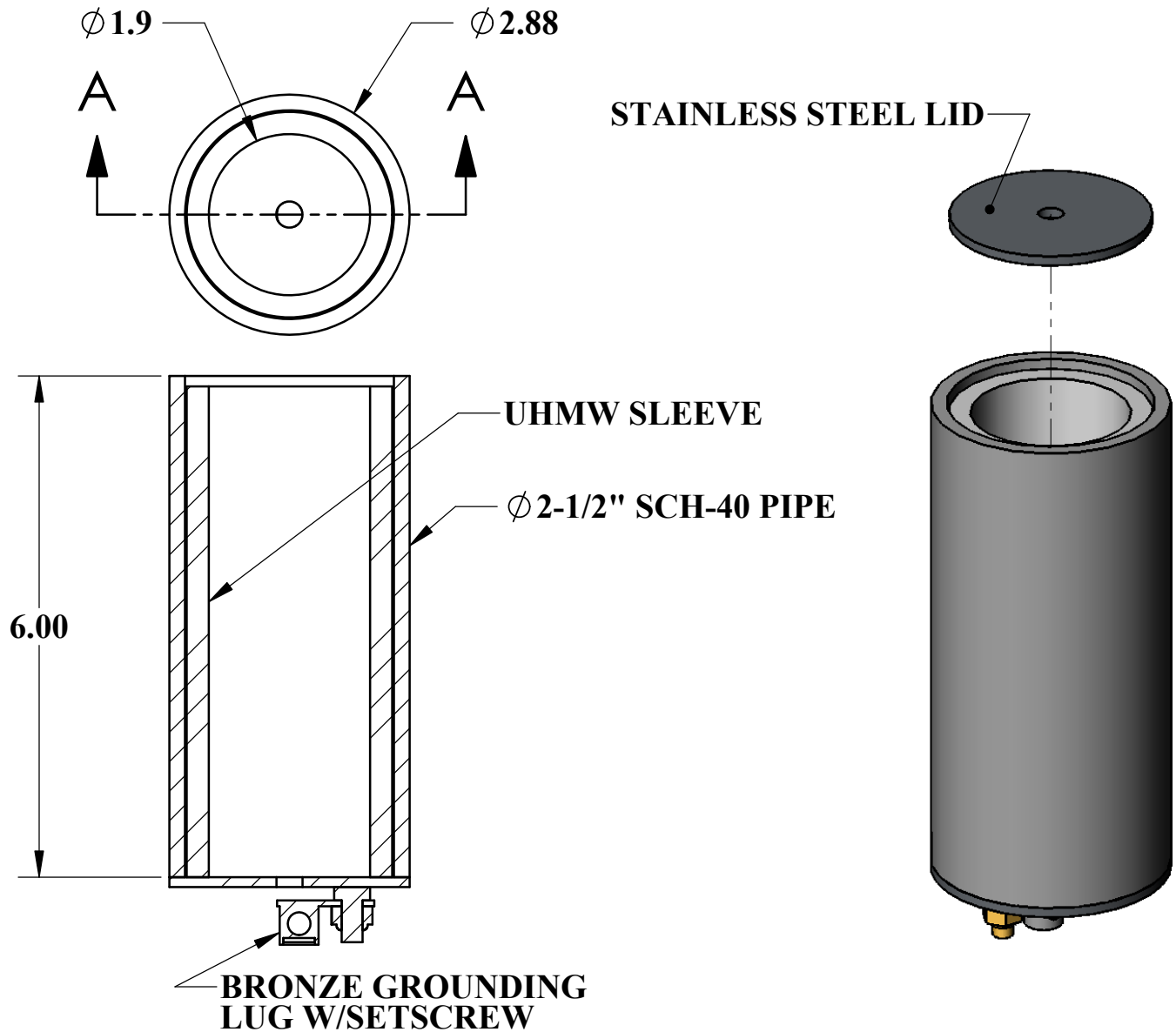


EZ POOL LIFT™ ANCHOR



SPECIFICATIONS

THE AQUA CREEK EZ POOL LIFT ANCHOR SHALL BE AN ALL STAINLESS STEEL ANCHOR WITH A UHMW PIVOT SLEEVE. THE ANCHOR SHALL FIT A 1.90" [4.8 cm] O.D. MAST. THE ANCHOR SHALL COME STANDARD WITH A BRONZE GROUNDING LUG ATTACHED AT THE BOTTOM, AND AN ELECTRO-POLISHED TAMPER RESISTANT LID.

ANCHOR HOUSING: 2-1/2" [7.3 cm OD] SCH-40 304 STAINLESS STEEL PIPE
 GROUNDING LUG: BRONZE GROUNDING LUG W/SET SCREW
 SLEEVE: UHMW (POLYETHYLENE)
 LID: ELECTRO-POLISHED 12 GAGE 304 STAINLESS STEEL

9889 GARRY MORE LANE
 MISSOULA, MT 59808
 (406) 549-0769
 FAX (406) 549-2602



Aqua Creek Products

The Total Solution for Pool and Spa Access

NOTE:
 *SPECIFICATIONS ARE SUBJECT TO CHANGE WITHOUT NOTICE
 *ALL DIMENSIONS ARE IN INCHES

PRODUCT:	F-033EZA	
DWG #:	F-033EZA-1	
SCALE:	1:2	DATE: 12/3/09
DRAWN BY:	DS	REVISION: C