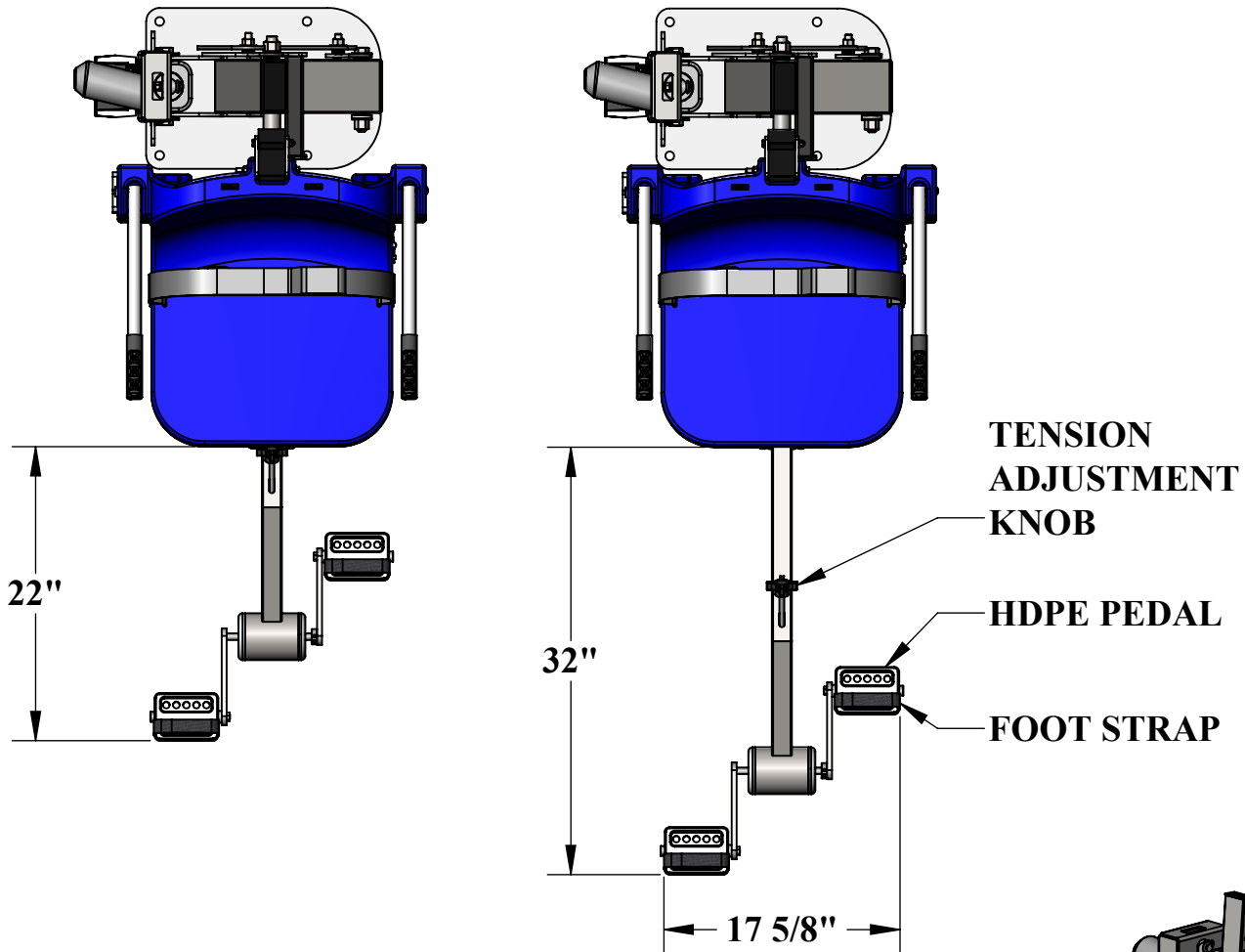
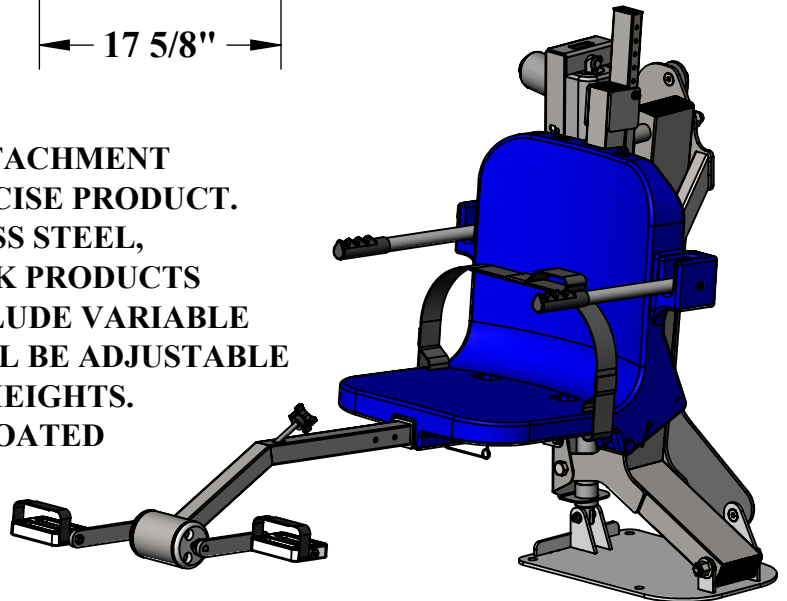


# CYCLE ATTACHMENT



## SPECIFICATIONS:

THE AQUA CREEK PRODUCTS CYCLE ATTACHMENT SHALL BE AN IN-WATER, CYCLING-EXERCISE PRODUCT. IT SHALL BE CONSTRUCTED OF STAINLESS STEEL, AND SHALL ATTACH TO ALL AQUA CREEK PRODUCTS WITH STANDARD CHAIRS. IT SHALL INCLUDE VARIABLE RESISTANCE AND FOOT STRAPS. IT SHALL BE ADJUSTABLE IN LENGTH TO SUIT USERS OF VARIOUS HEIGHTS. ALL METAL PARTS SHALL BE POWDER-COATED FOR ADDITIONAL CORROSION RESISTANCE, AND ALL OTHER PARTS SHALL BE OF PLASTIC OR EQUALLY CORROSION RESISTANT MATERIALS. IT SHALL COME WITH A STANDARD 1-YEAR WARRANTY.



9889 GARRYMORE LANE  
 MISSOULA, MT 59808  
 (406) 549-0769  
 FAX (406) 549-2602

NOTE:  
 \*SPECIFICATIONS ARE SUBJECT TO CHANGE WITHOUT NOTICE

PRODUCT:		CYCLE ATTACHMENT	
PART #:		F-019CA-01	
SCALE:	1:14	DATE:	8/23/2017
DRAWN BY:	KR	REVISION:	A