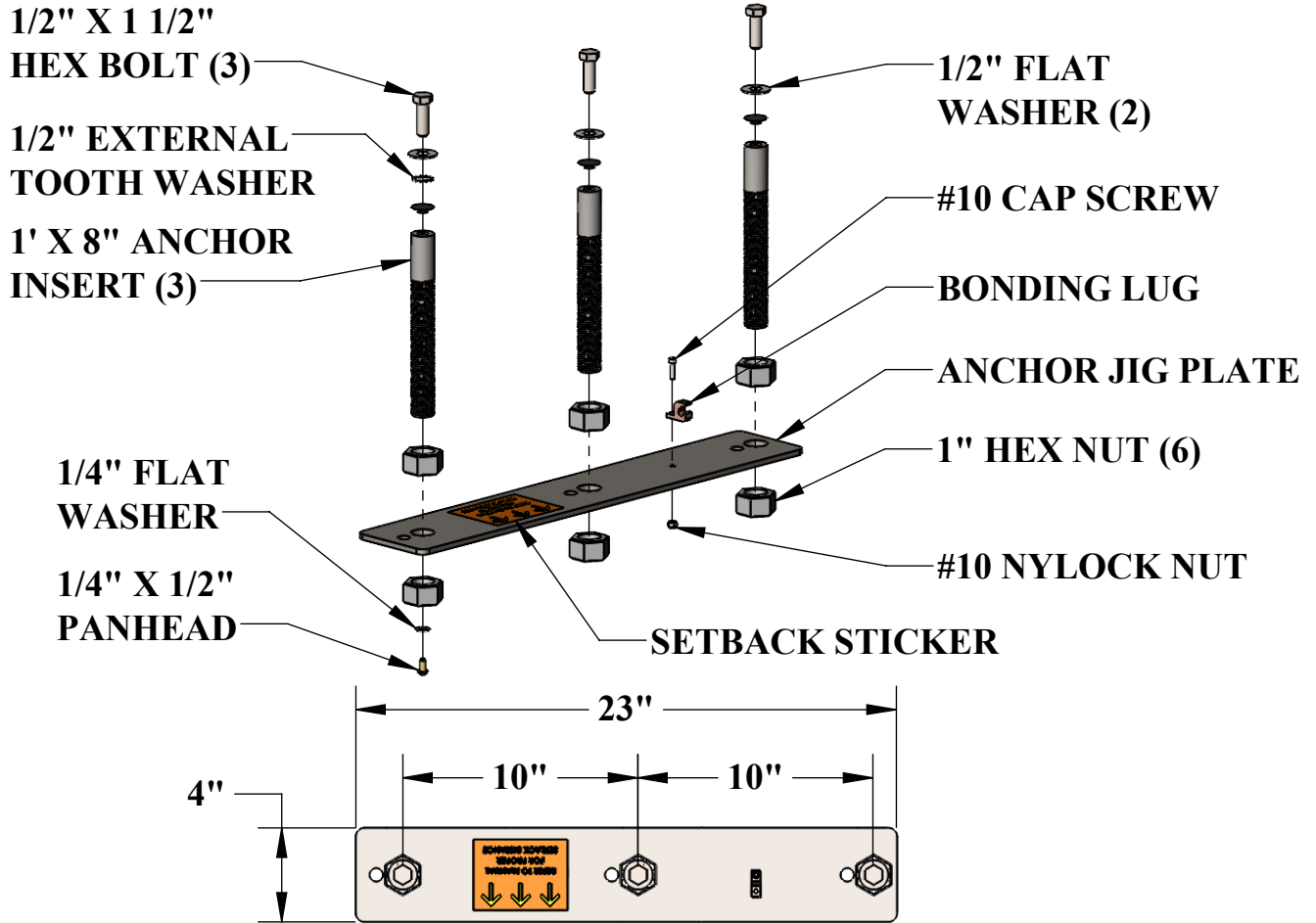


# ANCHOR JIG PLATE ASSEMBLY



## PURPOSE:

FOR NEW OR RETROFIT INSTALLATION OF THE ADA COMPLIANT POOL AND SPA LIFT ON IN-GROUND OR PARTIALLY RAISED POOLS AND SPAS. FOLLOW PRODUCT INSTALLATION INSTRUCTIONS.

## TESTING & SAFETY:

INDEPENDENTLY VERIFIED TO MEET 2009 INTERNATIONAL BUILDING CODE, THE 2010 CALIFORNIA BUILDING CODE, AND ASCE7-05 WITH A SAFETY FACTOR OF 1.2 FOR THE DEAD LOAD AND 1.6 FOR THE LIVE LOAD WHEN INSTALLED ACCORDING TO INSTRUCTIONS. STRUCTURAL CALCULATIONS AVAILABLE UPON REQUEST.

## INSTALLATION:

FOR INSTALLATION INTO REBAR REINFORCED, CONCRETE POOL DECKS NO SMALLER THAN 3'-6" SQUARE BY 6" DEEP. REFER TO LIFT INSTALLATION INSTRUCTIONS FOR SPECIFICS. MUST BE BONDED ACCORDING TO THE NEC ARTICLE 680. OTHER CODES MAY APPLY; CHECK YOUR LOCAL CODE ENFORCEMENT AGENCY FOR SPECIFICS AND PERMIT REQUIREMENTS.



9889 GARRYMORE LANE  
 MISSOULA, MT 59808  
 (406) 549-0769  
 FAX (406) 549-2602

NOTE:  
 \*SPECIFICATIONS ARE SUBJECT TO CHANGE WITHOUT NOTICE

PRODUCT: ANCHOR JIG PLATE	
PART #: F-910SAJP-8	
SCALE: 1:8	DATE: 2/24/2020
DRAWN BY: KR	REVISION: A