



ORBIT® Patient Transfer Lift Technical Specifications

TECHNICAL DATA

APPLICATION:	Residential & Institutional
OPERATION:	Lifting, transferring, and lowering users to and from specific, pre-identified locations
U.S. PATENT:	Patent 10,251,800
MOUNTING:	Anchor to: (1) wall and floor; (2) ceiling and floor; or (3) ceiling, wall, and floor
MOUNTING BOLT SIZE:	7/16" (Length depends upon your specific mounting construction and installation hardware)
CONTROL:	Hand push and pull
MATERIAL & FINISH:	Corrosion-resistant powder coated steel
WARRANTY:	5-Year Limited. Visit www.ezaccess.com for complete warranty details

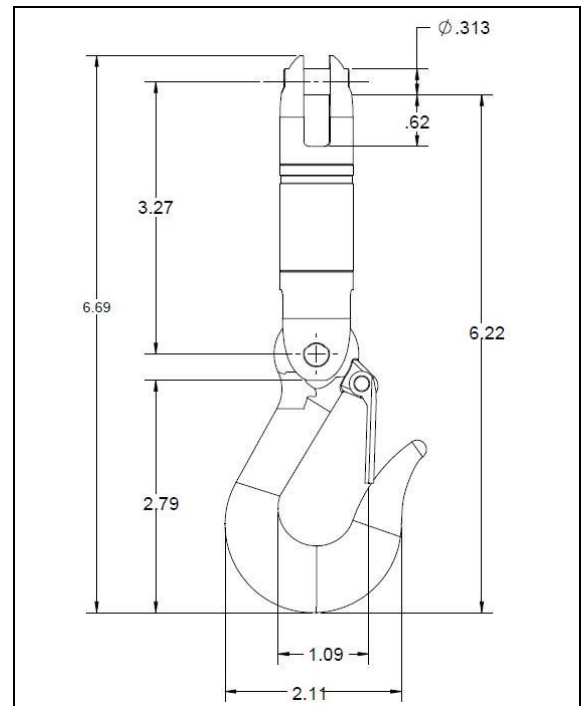
WEIGHTS & DIMENSIONS

PART NO.:	ORBIT 04-0810	ORBIT 04-0812	ORBIT 05-0810	ORBIT 05-0812
STANCHION WEIGHT:	68 lbs.	76.5 lbs.	68 lbs.	76.5 lbs.
ARTICULATING ARM WEIGHT:	37.6 lbs.	37.6 lbs.	43 lbs.	43 lbs.
TOTAL WEIGHT:	105.6 lbs.	114.1 lbs.	111 lbs.	119.5 lbs.
CEILING HEIGHT RANGE:	8'-10'	8'-12'	8'-10'	8'-12'
RATED LOAD:	440 lbs.			

Weights and dimensions are intended for reference only. They are approximate and subject to change. Please consult EZ-ACCESS for certified drawings. Refer to instruction manual for complete information on rated load and proper usage.

SWIVEL AND HOOK (OPTIONAL EQUIPMENT)

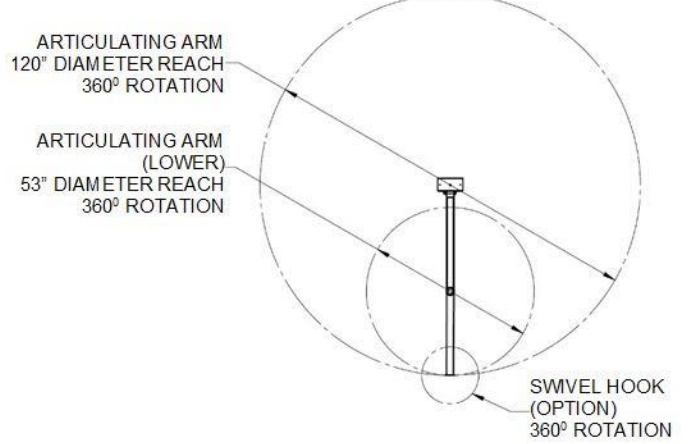
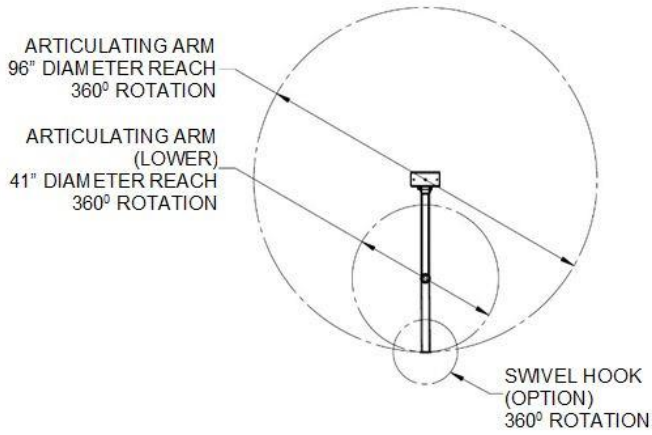
PART NO.:	ORBIT SH
WEIGHT CAPACITY:	440 lbs.
APPLICATION:	For lifting
SWIVEL TYPE:	Sealed Ball bearing
SWIVEL ROTATION:	360 degrees



4' ARTICULATING ARM w/ 8-10' STANCHION

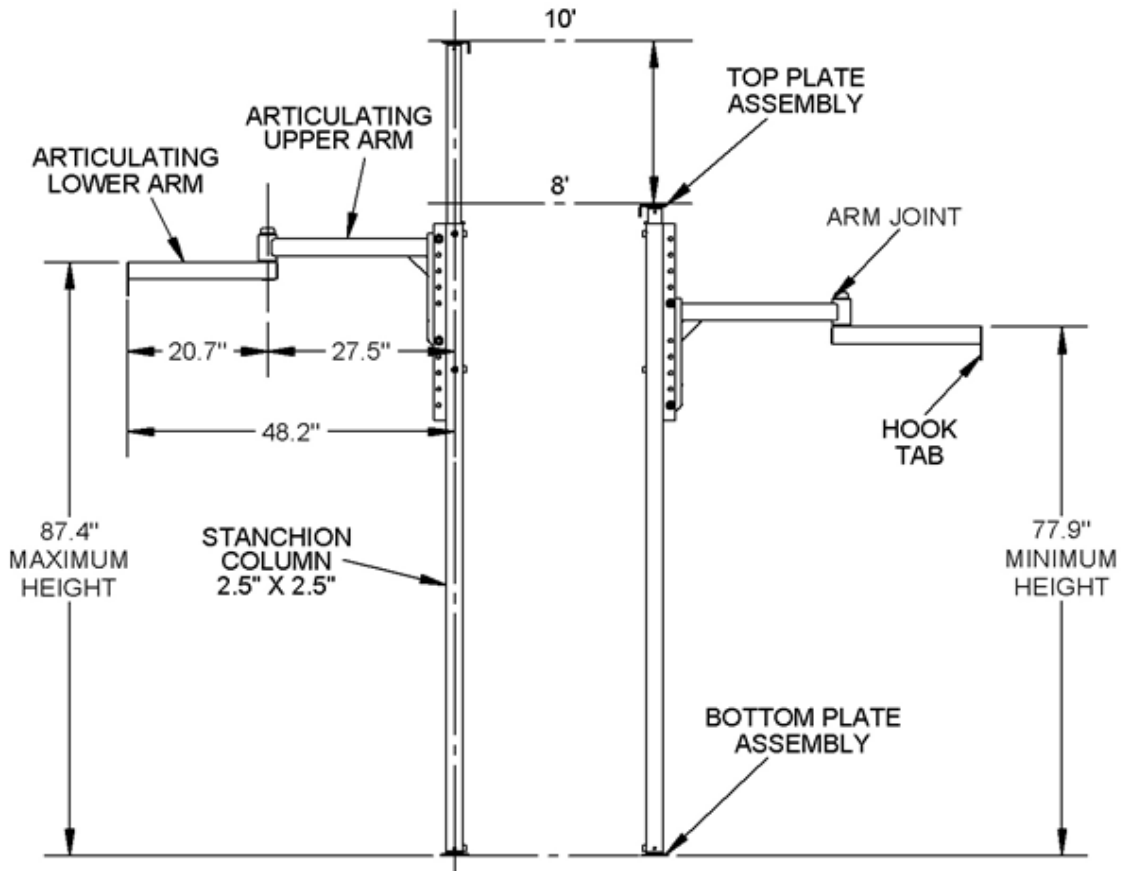
5' ARTICULATING ARM w/ 8-12' STANCHION

TOP VIEW

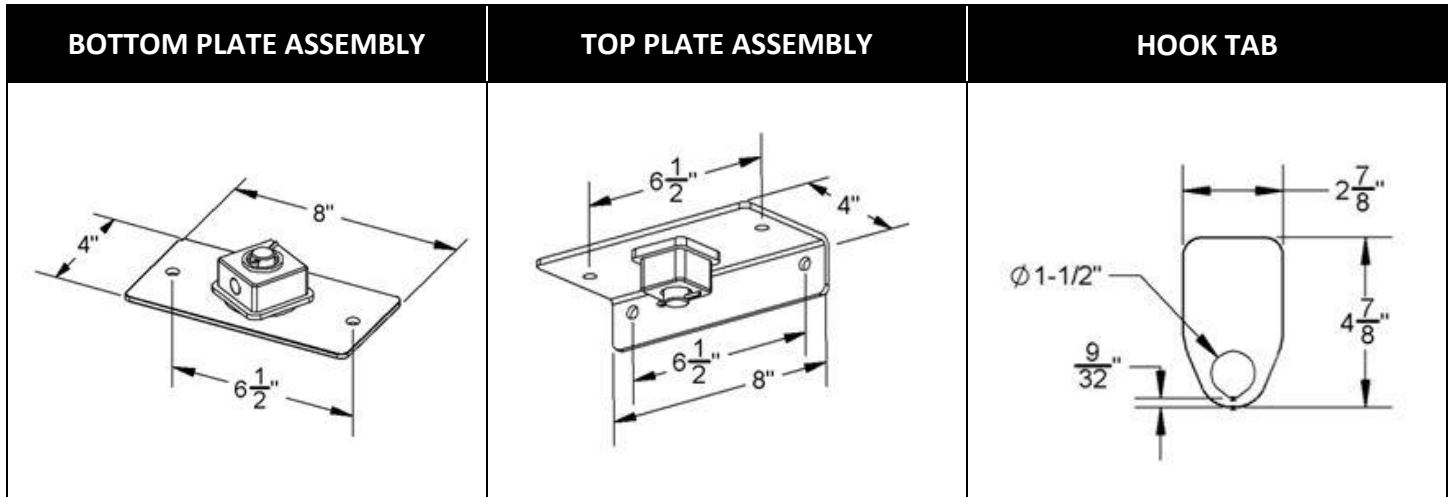


4' ARTICULATING ARM SHOWN

SIDE VIEW

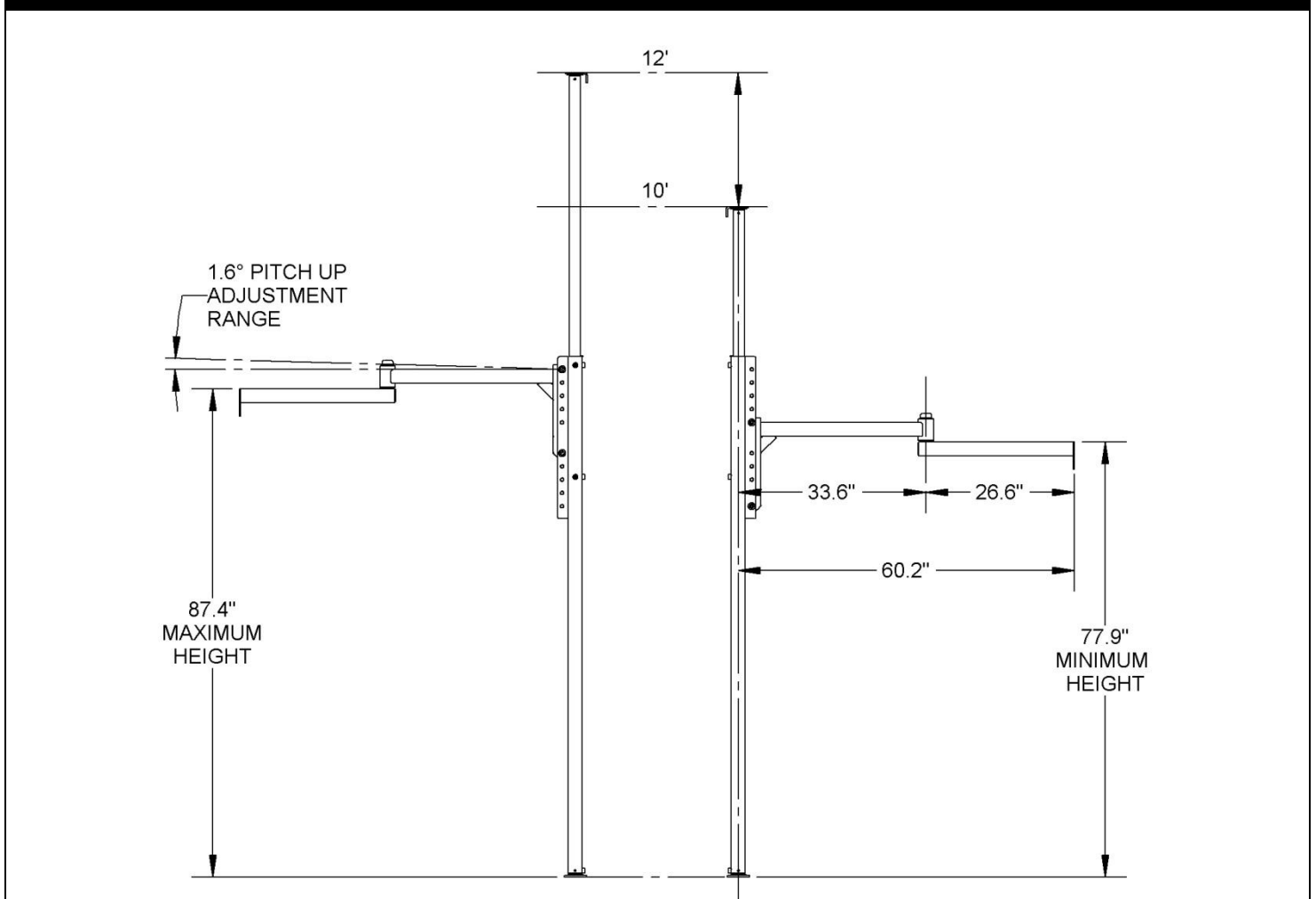


MOUNTING DIMENSIONS



ARTICULATING ARM ELEVATIONS

MINIMUM/MAXIMUM - 5' ARTICULATING ARM SHOWN



ADDITIONAL REFERENCE DIMENSIONS

8-10' & 10-12' STANCHION

ARTICULATING ARM POSITION	HOOK TAB TO FLOOR**	SWIVEL HOOK TO FLOOR***	ARM JOINT TO FLOOR****
Top	82.6" (82-9/16")	77"	92.3" (92-5/16")
Upper Mid	80.2" (80-3/16")	74.6" (74-5/8")	89.9" (89-15/16")
Middle	77.8" (77-13/16")	72.25" (72-1/4")	87.6" (87-9/16")
Lower Mid	75.4" (75-7/16")	69.9" (69-7/8")	85.2" (85-3/16")
Bottom	73.1" (73-1/16")	67.5" (67-1/2")	82.8" (82-13/16")

* All measurements with 0° of arm pitch.

** Hook tab measured from bottom of opening.

*** Swivel hook measured from inside bottom of hook.

**** Measured from top of arm joint to floor.