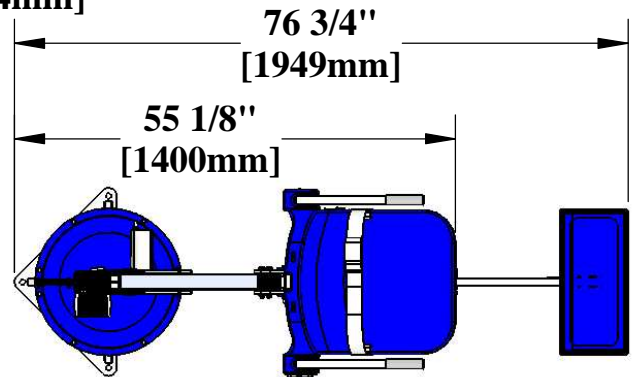
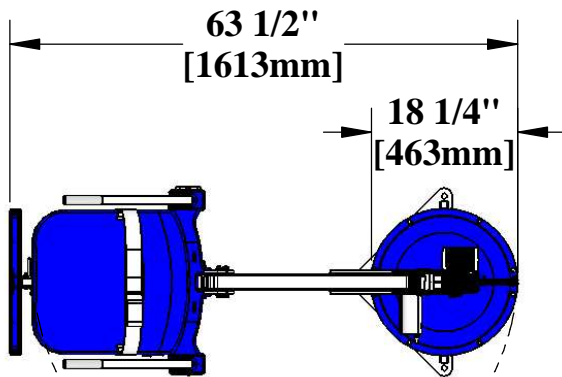
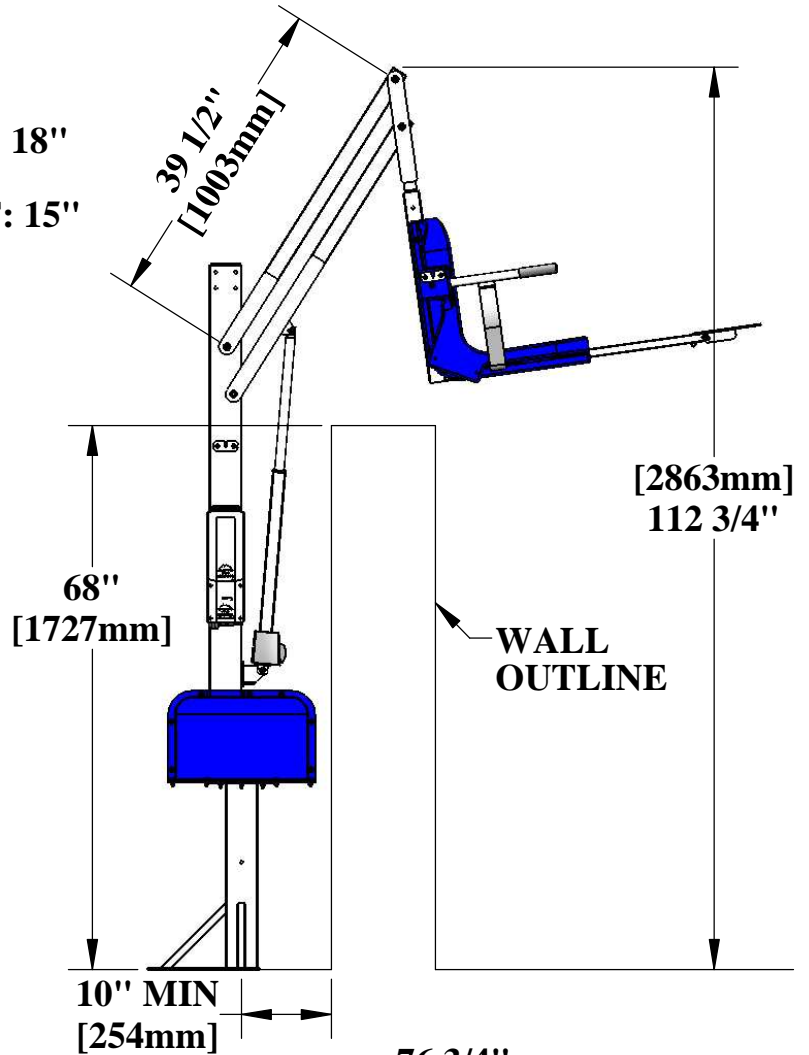
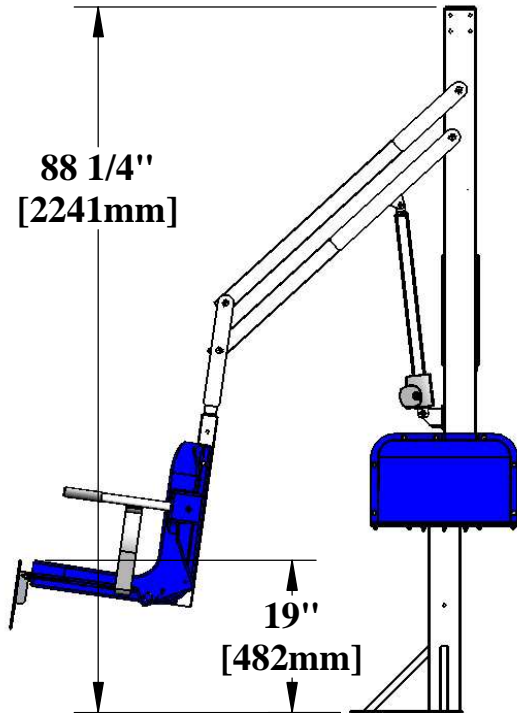


SPA LIFT ELITE (68)

US PATENT NO. D507,769 S

PRODUCT WEIGHT: 185 LBS
MAX WEIGHT CAPACITY: 300 LBS
MIN ANCHOR SETBACK: 10"
MIN WALL HEIGHT: 21"
WALL THICKNESS @ MIN HEIGHT: 18"
MAX WALL HEIGHT: 68"
WALL THICKNESS @ MAX HEIGHT: 15"



**CONTINUOUS
360° ROTATION**

9889 GARRYMORE LANE
 MISSOULA, MT 59808
 (406) 549-0769
 FAX (406) 549-2602

NOTE:
 *SPECIFICATIONS ARE SUBJECT TO CHANGE WITHOUT NOTICE



Aqua Creek Products
 The Total Solution for Pool and Spa Access

PRODUCT:	SPA LIFT ELITE	
PART #:	F-006SLE	
SCALE:	1:24	DATE: 2/18/16
DRAWN BY:	KR	REVISION: A