

SPA LIFT ULTRA (51)

US PATENT NO. D507,769 S

PRODUCT WEIGHT: 180 LBS

MAX WEIGHT CAPACITY: 400 LBS

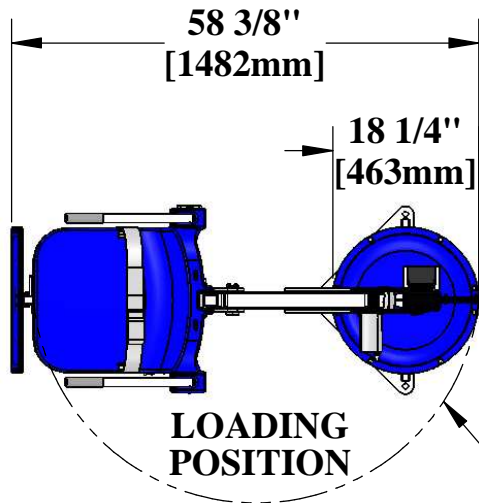
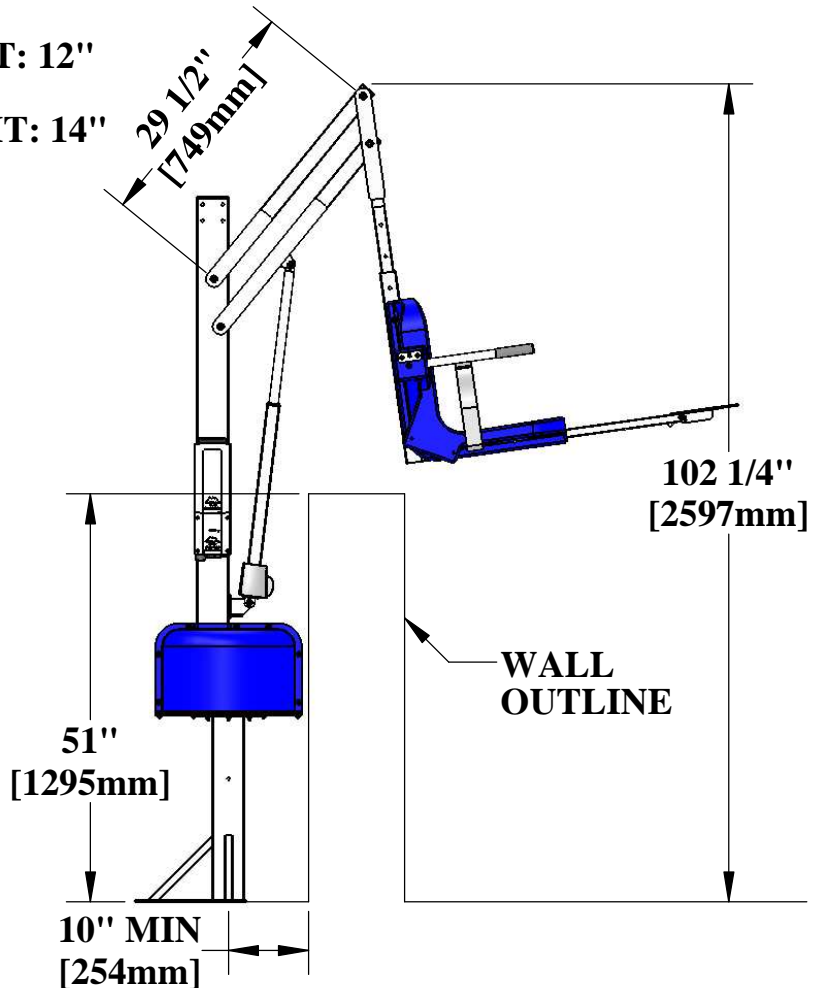
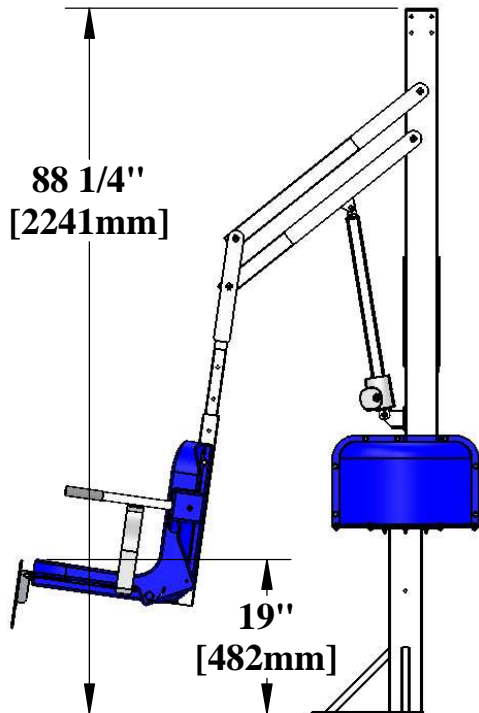
MIN ANCHOR SETBACK: 10"

MIN WALL HEIGHT: 29"

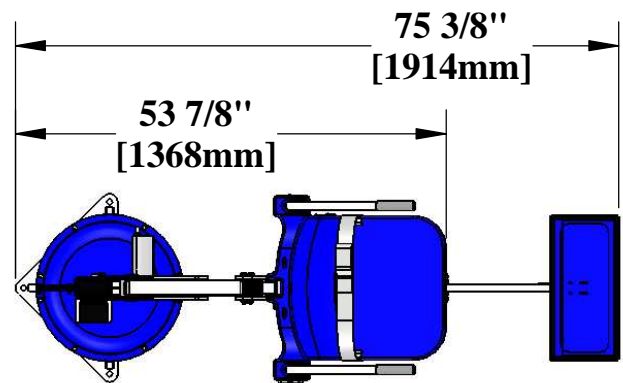
WALL THICKNESS @ MIN HEIGHT: 12"

MAX WALL HEIGHT: 51"

WALL THICKNESS @ MAX HEIGHT: 14"



**CONTINUOUS
360° ROTATION**



**ABOVE
WALL**



The Total Solution for Pool and Spa Access

9889 GARRYMORE LANE
MISSOULA, MT 59808
(406) 549-0769
FAX (406) 549-2602

NOTE:
*SPECIFICATIONS ARE SUBJECT TO CHANGE WITHOUT NOTICE

| | | | |
|-----------|------|----------------|--------|
| PRODUCT: | | SPA LIFT ULTRA | |
| DWG #: | | F-005SLU | |
| SCALE: | 1:24 | DATE: | 3/8/16 |
| DRAWN BY: | KR | REVISION: | A |